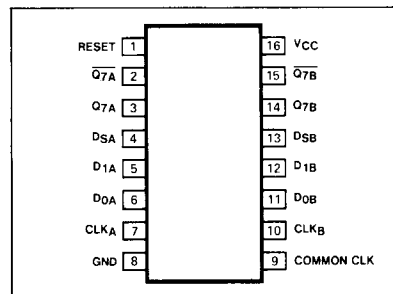


DESCRIPTION

The 8277 is a dual 8-Bit Shift Register which provides the designer with sixteen (16) bits of serial storage operating at a typical shift rate of 20MHz. Features of the 8277 are:

1. TRUE and COMPLEMENT outputs are provided on each register's eighth bit.
2. Positive edge triggering on clock input.
3. SEPARATE CLOCK lines (pins 7 and 10) for each 8-bit register are provided as well as a COMMON CLOCK line (pin 9) for all sixteen storage bits.
4. Common RESET (pin 1).
5. AND-OR gating to the input of each 8-bit register is provided to accomplish the multiplex function.
6. Direct replacement for 9328.

PIN CONFIGURATION



ORDERING CODE (See Section 9 for further Package and Ordering Information)

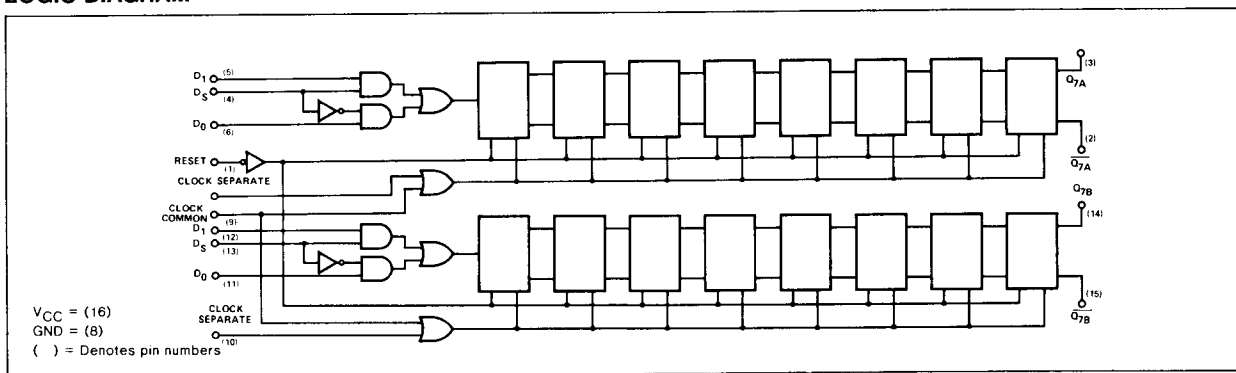
PACKAGES	COMMERCIAL RANGES V _{CC} =5V ± 5%; T _A =0°C to +75°C	MILITARY RANGES V _{CC} =5V ± 5%; T _A =-55°C to +125°C
Plastic DIP	N8277N	
Ceramic DIP	N8277F	
Flatpak		

FUNCTION TABLE

D _S	D ₀	D ₁	Reset	Function
L	L	X	H	Shift in "0"
L	H	X	H	Shift in "1"
H	X	L	H	Shift in "0"
H	X	H	H	Shift in "1"
X	X	X	L	Reset "Q" to "0"

5

LOGIC DIAGRAM



DC ELECTRICAL CHARACTERISTICS

PARAMETER	TEST CONDITIONS	8277		UNIT
		Min	Max	
V _{OH} Output HIGH voltage	V _{CC} = 4.75V, I _{OH} = -800μA	2.6		V
V _{OL} Output LOW voltage	V _{CC} = 4.75V, I _{OL} = 16mA		0.4	V
I _{IH} Input HIGH Current Data, Reset, Clock separate Data select, Clock common	V _{CC} = 5.25V, V _{IN} = 4.5V		40 80	μA μA
I _{IL} Input LOW current Data, Reset, Clock separate Data select, Clock common	V _{CC} = 5.25V, V _{IN} = 0.4V		-1.6 -3.2	mA mA
V _{BD} Input breakdown voltage	V _{CC} = 4.75V, I _{IN} = 10mA	5.5		V
I _{CC} Supply current	V _{CC} = 5.25V		103	mA

AC CHARACTERISTICS: $T_A = 25^\circ\text{C}$ (See Section 4 for Waveforms and Conditions)

PARAMETER	TEST CONDITIONS	8277		UNIT
		$C_L = 18\text{pF}$ $R_1 = \infty\Omega$ $R_2 = 84.5\Omega$		
		Min	Max	
t_{PHL} t_{PLH}	Propagation delay Clock to output		40 40	ns ns
t_{PHL} t_{PLH}	Propagation delay Reset to output		40 40	ns ns

NOTE
b. For family dc characteristics, see inside front cover for 54/74 and 54H/74H, and see inside back cover for 54S/74S and 54LS/74LS specifications.

AC SETUP REQUIREMENTS: $T_A = 25^\circ\text{C}$ (See Section 4 for Test Circuits and Conditions)

PARAMETER	TEST CONDITIONS	8277		UNIT
		Min	Max	
f_{Max}	Maximum clock frequency	15		MHz
t_W	Clock pulse width	15		ns
t_s	Set-up time	30		ns
t_h	Hold time	5		ns

AC WAVEFORM

